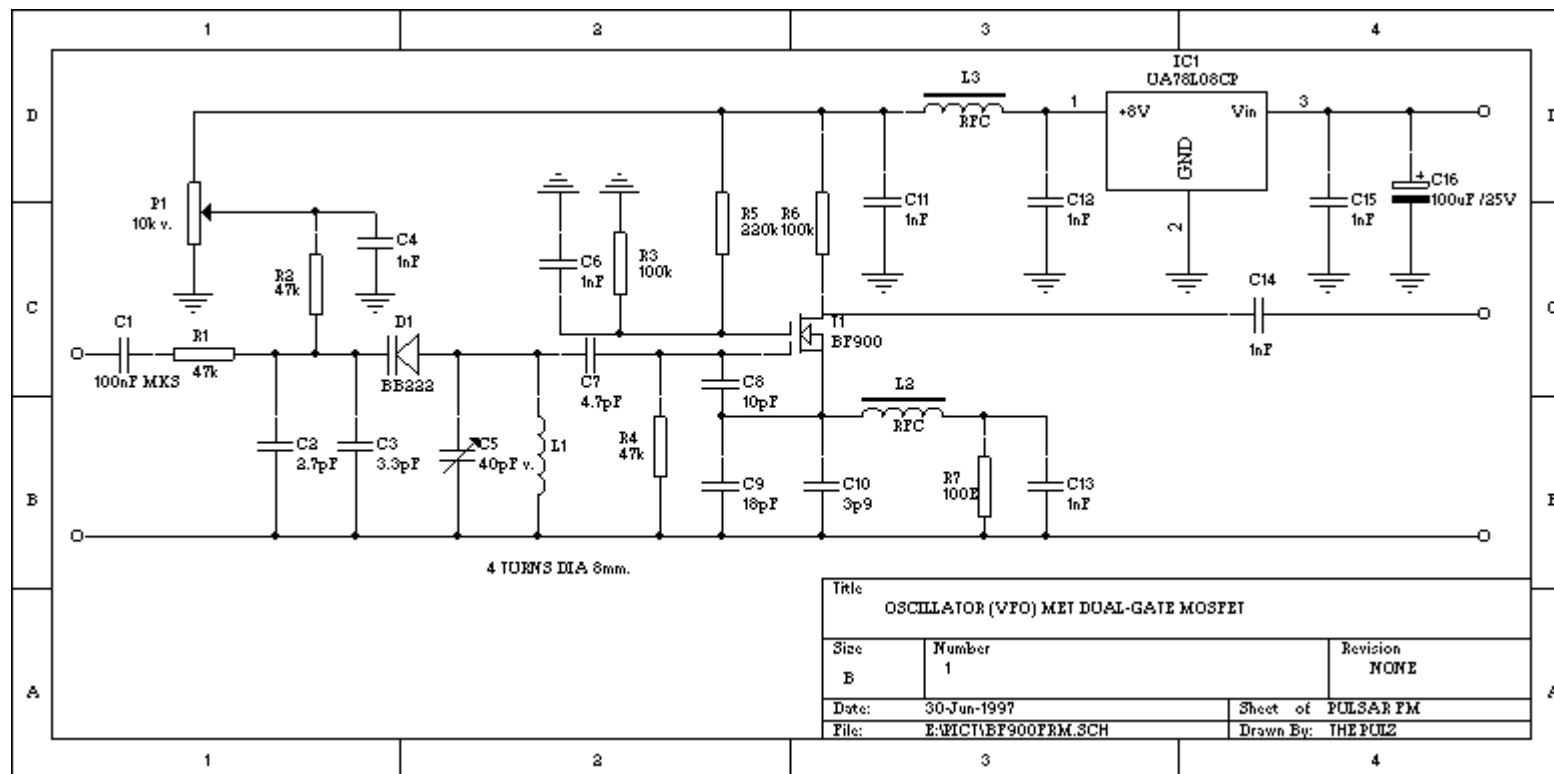


## Oscillator using BF900

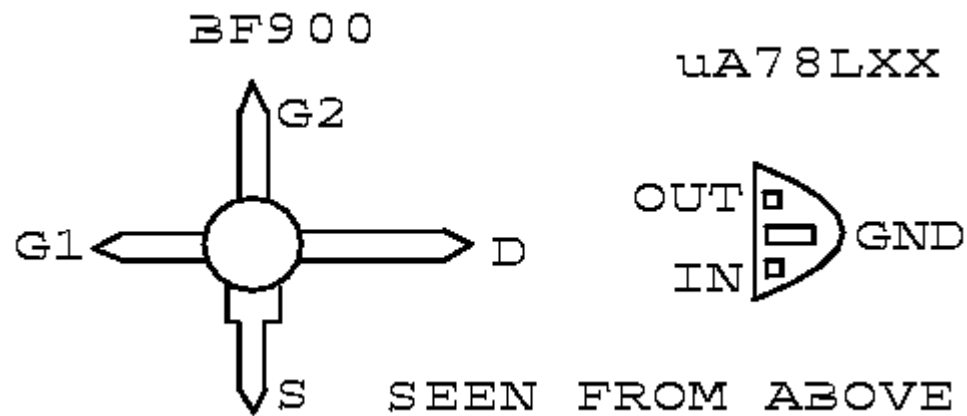
### Output several mWatts

This layout came from a Dutch radio magazine called [Free Radio Magazine](#). It was first published on the web by [Erik van Gorkum](#). It is the **MOST STABLE** non-pll-oscillator we've ever seen!!! It easy to build and clean.

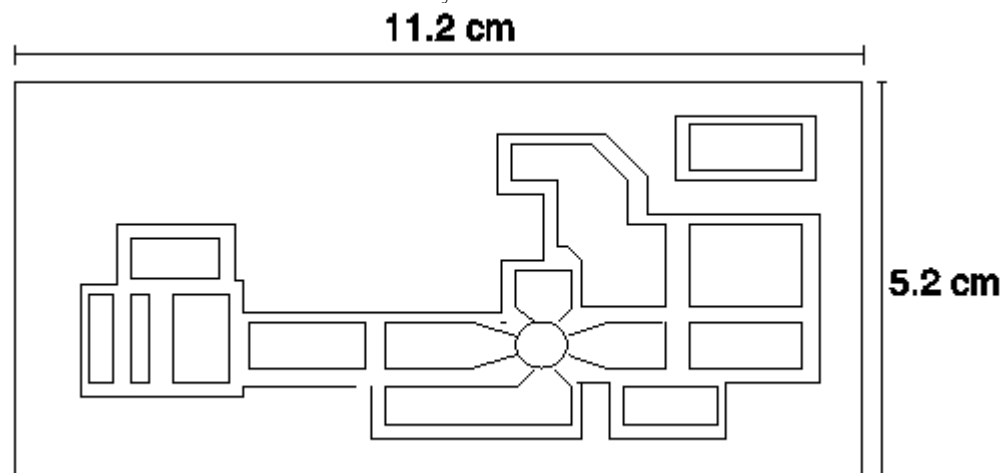
In stead of the BB222 varicapdiode, you can also use: BA102, BB405 or alike... The 78L08 can be replaced with an 78L09 if you like. You can set your frequency fast by turning the 40pF trimmer; to adjust the frequency a little, say 300kHz (depending on your varicapdiode), turn the 10kOhm potmeter. In stead of a BF900 you can also use a BF961, which is pincompatible.



Be aware not to switch the gates of the BF900 dual-gated-mosfet. Here is the pinlayout of the BF900 and the 78L08 (pinlayout for BF961 is equal to the BF900's and the pinlayout of the 78L09 is equal to the 78L08's)



The PCB layout could look like this:



The components should then be placed like this:

