

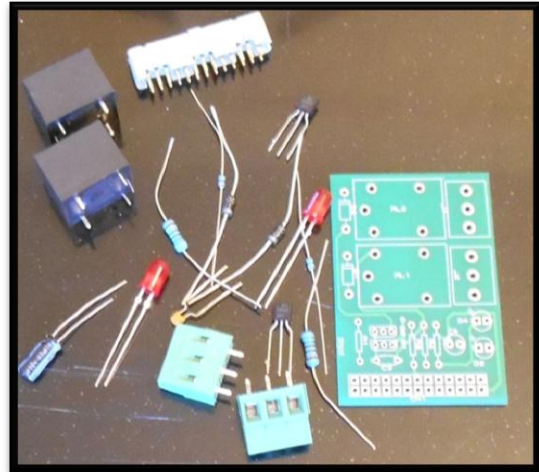
Build Manual

Dual Relay Board

Kit Contents

In this kit you should find the following:-

- PCB Board x 1
- 5V Relays x 2
- BC548 Transistors x 2
- 26 Way Connector x 1
- 1N4001 Diodes x 2
- LED x 2
- 3 Way Terminal Block x 2
- Resistors x 4
- Capacitors x 2

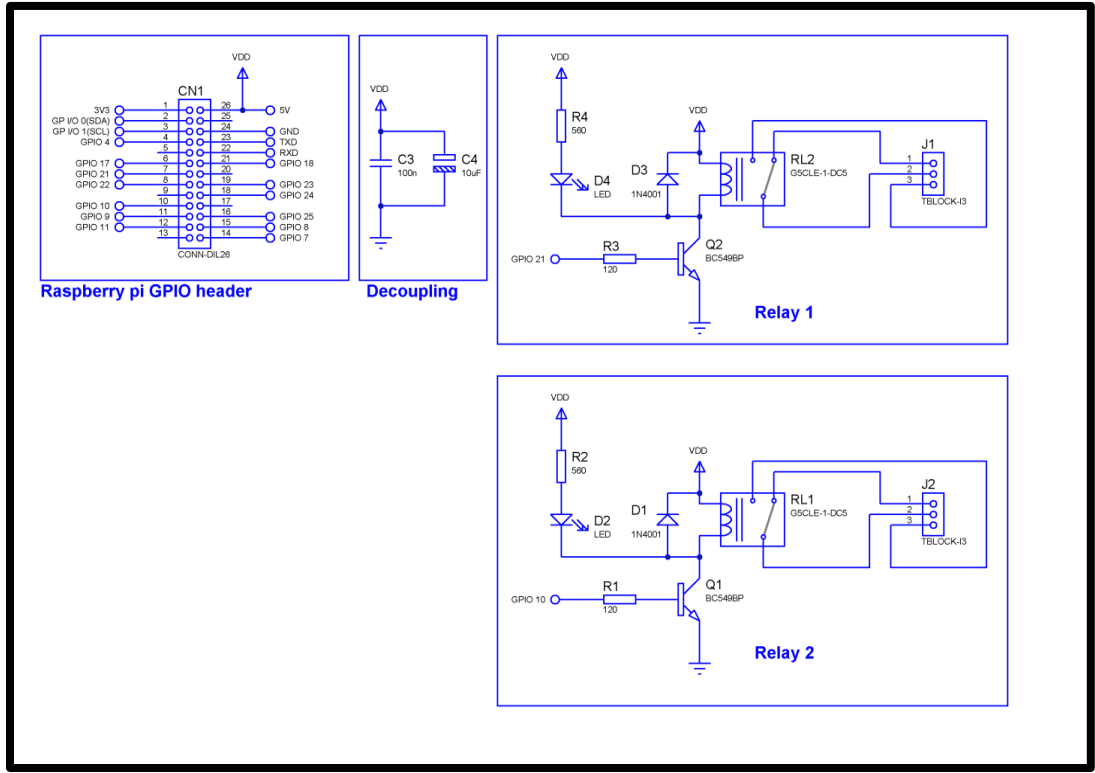


Tools needed

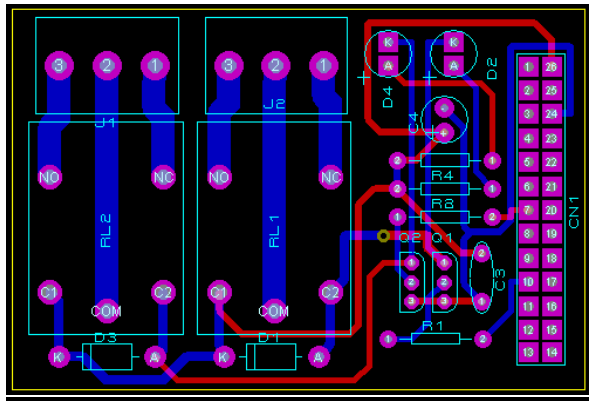
In order to assemble this kit you will need the following tools

- Soldering iron
- Solder
- Wire cutters

The Schematic

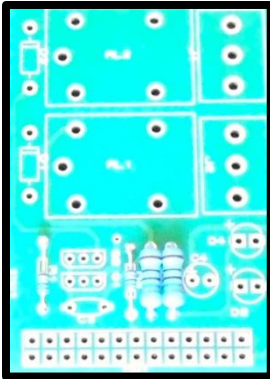


The Layout

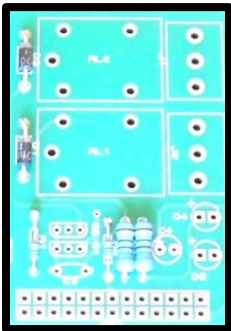


The Build

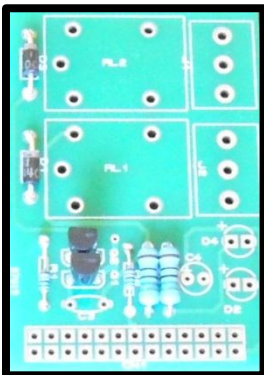
1. Insert resistors into the build and solder R1 & R2 = 120 Ohm, R3 &R4 = 560 Ohm



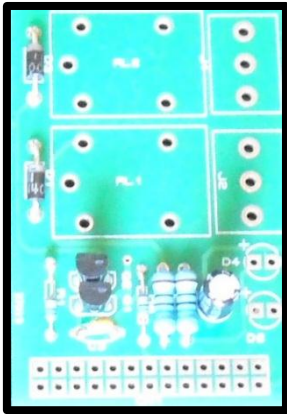
2. Insert the diodes and solder, ensure they are of the right polarity.



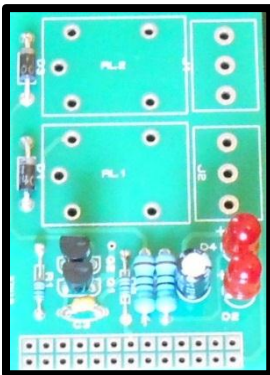
3. Insert the BC548 Transistors and solder in place.



4. Insert the capacitors and solder



5. Insert the 2 LED's, ensure they are the right polarity long lead goes to the + symbol



6. Insert the Terminal Blocks and solder in place



7. Insert the Relays and solder in place



8. Insert the connector underneath the board and solder on the top.

