

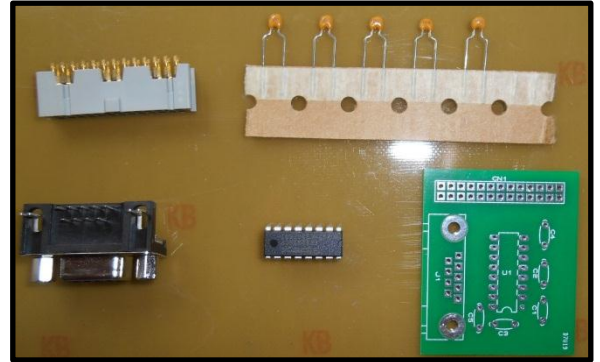
Build Manual

RS232 Adapter for Raspberry pi

Kit Contents

In this kit you should find the following as shown in the picture

- RS232 PCB Board x 1
- 3232E IC x 1
- 100nF ceramic capacitor x 5
- DB9 Connector
- 26 way connector x 1

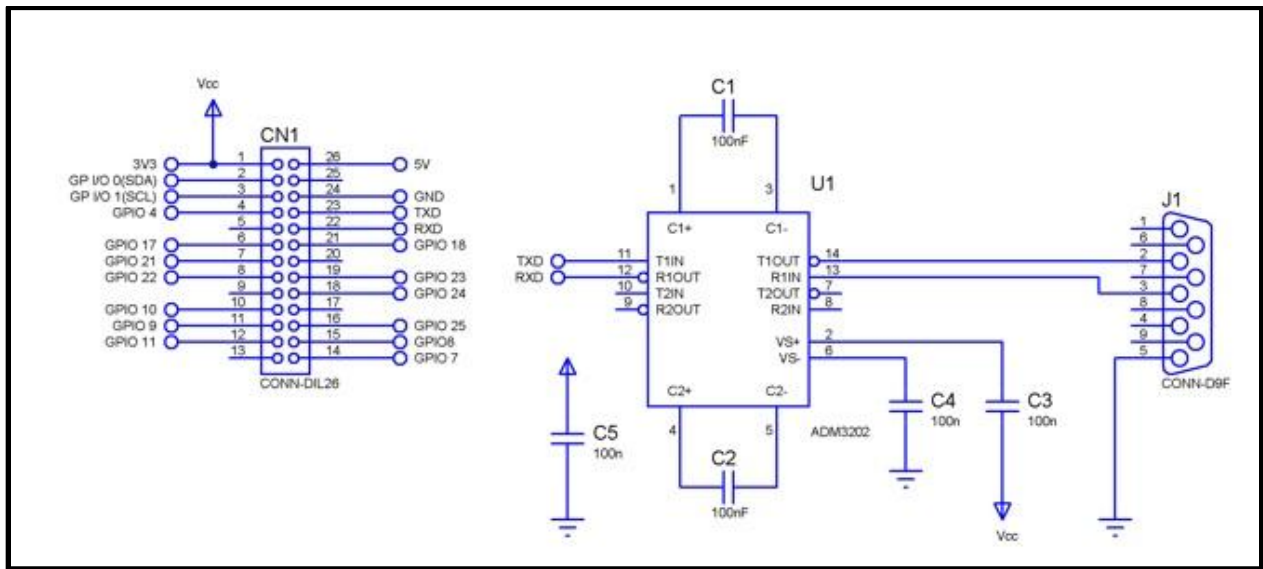


Tools needed

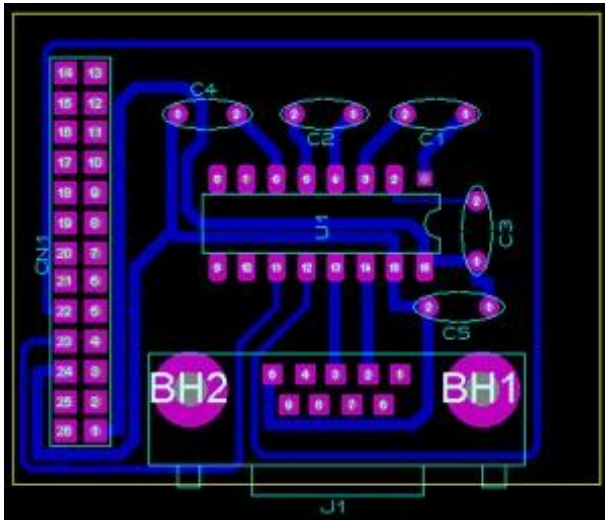
In order to assemble this kit you will need the following tools

- Soldering iron
- Solder
- Wire cutters

The Schematic



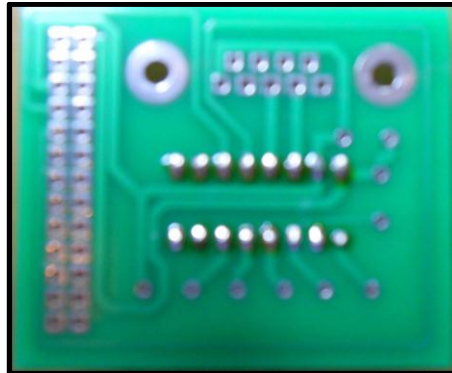
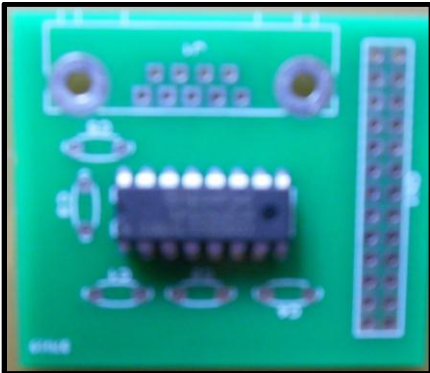
The Layout



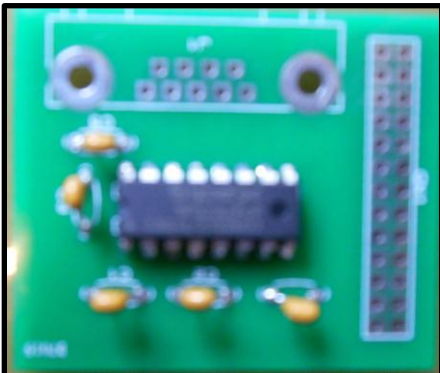
The Build

Step 1: Solder the IC

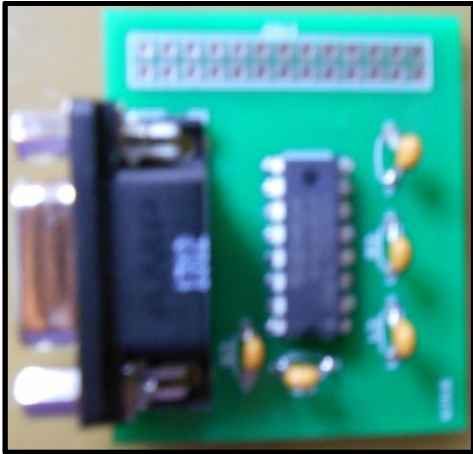
1. Insert the IC into the board as shown turn the board over and solder the IC.



2. Insert the capacitors and solder them into place as shown below



2. Insert the DB9 connector and solder into place



3. Insert the 26 way connector from the underside of the board and solder it on the top side of the board.

